

The Royal Engineers Association

(Registered under the Charities Act 1992 and a charity registered in Scotland)

Patron: HER MAJESTY THE QUEEN



All correspondence to:

The Controller
RE Association
Brompton Bks
CHATHAM
Kent
ME4 4UG
Telephone: 01634 822407
Fax: 01634 822394
Website: www.reahq.org.uk
Email: info@reahq.org.uk

Reference: REA/A/1/2

All Management Committee Members
All Council Members
All Group Secretaries All Branch Secretaries
Controller REA
Corps Treasurer

08 August 2014

MINUTES OF THE 121st MEETING OF THE MANAGEMENT COMMITTEE OF THE ROYAL ENGINEERS ASSOCIATION, HELD IN 053 MEETING ROOM 18, MINISTRY OF DEFENCE, MAIN BUILDING, LONDON, ON THURSDAY 17th JULY 2014

PRESENT

Maj Gen C J Boag CB CBE	Chairman
Col C N R Skeat ADC	Corps Colonel
WO1 (RSM) A Crossen	1 RSME Regt
Mr G Doughty	South East Group
Mr T Mitchley	East Anglia Group
Mr K Gover	South West Group
Mr M Crooke	North West Group
Mr R Price	North Midlands Group
Mr K Street	South Midlands Group
Mr W P Halloran	North East Group
Maj (Retd) R Macgregor MBE TD	Scotland & NI Group

IN ATTENDANCE

Lt Col (Retd) N Jordan	D Con REA and Secretary
Maj (Retd) I Sidebottom	Corps Treasurer

APOLOGIES

Lt Col (Retd) R Murfin TD DL	Reserve Forces
Mr P Markham	South East Group
Mr M Payne BEM	Central Southern Group
WO1 (RSM) T Whiteman	3 RSME Regt
WO1 (RSM) S Bell	170 (Infra Sp) Engr Group
Maj I Drummond RE	Comdt Wyke Regis
Maj (Retd) B Henderson	South Wales Group

1. The Chairman opened the meeting and welcomed those present especially those who had come from afar.

2. The Chairman noted that apologies had been received from those listed above. He welcomed the following new member to the Committee for whom it was his first meeting:

- Mr Keith Gover South West Group

ITEM 1 - TO CONFIRM THE MINUTES OF THE 120th MEETING

3. The Committee accepted that the Minutes of the 120th Meeting were a true record of the proceedings.

Proposed: Trevor Mitchley - East Anglia Gp

Seconded: Mike Crooke – North West Gp

4. The Chairman signed the Minutes

ITEM 2 - MATTERS ARISING FROM THE 120th MEETING

5. Paragraph 5. The Chairman agreed to brief the Management Committee on the Military Survey (Geo) Branch situation at its next meeting. He said the Branch had replied to his letter and agreed to revert back to its original name and to address the issue of 'Branch members' and Associate Members. NFA

6. Paragraph 19. The Corps Colonel was asked to consider the inclusion of a short paragraph on REA activity in support of the Through Life Concept within his Report on the Corps. This has been actioned. NFA.

7. Paragraph 24. HQ REA agreed to calculate points awarded for service at National and Branch level on submitted recommendations for the Badge of Merit. The Guide for Recommending Officers was to be amended to reflect this change. The Guide has been amended. NFA.

8. Paragraph 26. With regard to the submission of Branch Annual Financial Summaries, the D Con was asked to provide Branch statistics to all Group Secretaries. The statistics were provided. NFA.

ITEM 3 – TO NOTE THE REPORT OF THE BENEVOLENCE COMMITTEE

9. The Chairman presented the Benevolence Report for the 6 month period ending June 2014. The report is at Annex A.

10. The Benevolence Report was accepted.

ITEM 4 - TO NOTE THE CORPS COLONEL'S REPORT ON THE CORPS

11. The Corps Colonel presented his report. The report is at Annex B.

12. He advised the Committee that at long last a new Controller had been recruited and his first day at work would be the REA AGM at the Victory Services Club in London on 11 October 2014. The new Controller, Lt Col Keith Lowerson MBE, is currently serving with the Army Personnel Centre at Glasgow.

13. The Corps Colonel made special mention of the Corps Through Life Concept and the REA. He said that the Chief Royal intends to maximise the interactions and relationships of the Corps' different elements for bigger gain. This will be achieved by uniting Regulars and Reserves to a common purpose and connecting the Cadets and Veterans more directly with the serving Corps. Guidance and overall direction for this initiative will continue to come from the Corps' hierarchy through the Chief Royal Engineer's committee and subordinate councils/committees working in concert with Army staffs, where appropriate.

14. The Chairman reminded those present that the Corps Colonel's Report was distributed to the serving Corps. This was good news as the REA would now have a place to report on its activities and start getting into the consciousness of the serving Corps. An REA report in the Corps Colonel's Report should become a regular fixture. Only this way will those serving come to regard the REA as an integral part of the serving Corps, something they should support during their service rather than something to consider joining ten or twenty years after they have left the Corps.

15. The Chairman thanked the Corps Colonel and the Corps RSM for such a comprehensive and informative report and urged Cttee members to share the information with Branches and members.

16. The Corps Colonel's report was accepted.

ITEM 5 – TO NOTE THE REPORT OF THE RECRUITING COMMITTEE

17. The Chairman introduced the report. The report is at Annex C.

18. He indicated that he would like to develop a recruiting strategy that dovetailed in with the Chief Royal's Through Life Concept. He continued by saying that he would like a more detailed discussion on the Through Life Concept and REA recruiting at the next Management Committee meeting and asked Committee members to prepare themselves for a productive discussion.

19. The D Con said that the REA Recruiting Committee did some good work, but as its members were not in the chain of command it was difficult to get the support of the serving Corps. They were in effect toothless tigers. The Chairman said that that was one of the reasons why the Committee needed to think about how this issue should be taken forward in light of the Chief Royal's Concept. There also needed to be a more concerted effort in reaching the younger elements of the serving Corps at an earlier stage using the tools that they use to communicate, Facebook, Twitter, text et al.

ITEM 6 – TO COMMENT ON THE 2015 BUDGET

20. The Chairman introduced the most up-to-date budget sheet. He advised members that this was their chance to influence changes to the budget through Council. He asked the Corps Treasurer if there were any points that he wished to make.

21. The Corps Treasurer advised that as agreed at the last meeting of Council, he had authorised the purchase of new AFCIF units to the value of £250,000.00 on behalf of the REA General Fund.

22. There were no comments on the 2015 budget.

ITEM 7 – BRANCH FINANCIAL SUMMARY – DEBRIEF POINTS

23. The auditors had made observations on 4 Branch accounts. The errors were of a minor nature and easily corrected. Regrettably one of these Branches failed to submit their accounts on time, a failing for which there is really no excuse. Overall the Chairman was very pleased with the success of the Branch submissions and through the Group representatives he asked that Branches be congratulated for their efforts. Branches should be aiming for a 100% success rate for the next round of Branch Financial Summaries.

ITEM 8. TO RECOMMEND TO COUNCIL THE AGENDA FOR THE 2014 AGM

24. The Committee considered the draft 2014 AGM Agenda and recommended the agenda to Council.

ITEM 9 – ASSOCIATE MEMBERSHIP – BRANCH QUOTA’S

25. The Chairman introduced the Item by saying that some Branches attempted to bolster their membership by creating Associate Members. He said that it is not in the best interests of the Association to create Associate Members in order to ensure the survival of a Branch. The Association aims are to promote and support the Corps among members of the Association in the following ways:

- By fostering esprit de corps and a spirit of comradeship and service.
- By maintaining an awareness of Corps traditions.
- By acting as a link between serving and retired members of the Corps.

26. To achieve these aims Branches needed a good base of active serving/former sappers. If Associate Members outnumbered Full or Life Members, Branches would end up as social clubs that failed to uphold the aims of the Association and would eventually become ungovernable because of their membership base.

27. The Chairman said that HQ REA had an unwritten rule that only 10% of a Branch’s Life and Full Members should be Associate Members; this is in line with Mess rules for Honorary Members. He asked members if they thought the 10% limit should be kept and formalised or whether the number should be increased or decreased. There was considerable discussion amongst members.

28. The Corps Colonel said he was concerned at the possibility of Associate Members out-voting Life /Full Members on the use of Branch funds. Again there was some discussion regarding the voting rights of Associate Members and how this might be controlled. The D Con reminded members that Association Rules allowed one Branch official to be an Associate Member.

29. The D Con said that in many cases applications for Associate Membership did not follow the published guidelines and that some Group Directors had authorised applications without proper scrutiny and consideration of the Rules. He said that there exists a class of affiliation with the Association called ‘Friends of the Association’. Included in this category are spouses, widows, widowers, children and dependants of present or former Full and Life Members. In many cases, those offered Associate Membership should actually have been classed as ‘Friends of the Association’ and embraced by the Branch in the same manner.

30. The Chairman stressed that it was not the intention to remove Associate Members from Branches that had more than the allowance, but that Branches that had reached or exceeded the quota would not be allowed to sign-up new Associate Members. He thought that the best way forward on the matter was for Group Representatives to consult with their Branches and ask them how they would feel about a 20% cap on Associate Members and a restriction on their voting rights. The Chairman advised members that they would be asked to provide their feedback at the next meeting.

Action: All Group Representatives

ITEM 10. BRANCH MATTERS

31. Graham Doughty said that he had recently been talking to Mr David Howard a former serving sapper living in Hameln. He said that although David Howard had indicated his willingness to start a new Branch of the REA in Hameln, he had only five Life Members and lots of non-members willing to become Associate Members to start the Branch. The D Con said that he too was in contact with David Howard. As a result of this contact the D Con had placed a notice on the REA Facebook page urging former members of the Corps wishing to form a Branch in Hameln to contact David Howard. REA Rules on the formation of a Branch were quite clear and to start a Branch twenty Full or Life Members were required. He continued by saying that at the last look the Facebook notice had reached over 6,000 people, many of whom would be resident in Hameln; they may need that little extra push to join the REA and be part of the Branch formation.

ITEM 11. ANY OTHER BUSINESS

32. Roger Price said he had recently attended an Armed Forces Weekend event in Staveley, Chesterfield. He said it was well attended and supported. He wondered if there was any way the Chesterfield Branch could put something on to promote the REA at future events with help from HQ REA. The Chairman said that the Commandant RSME, Brig D Southall, was carrying out some analysis of the REA group structure to determine how it fitted in with the re-basing of Corps units. This in turn should identify the areas where we might have most effect in promoting the REA. The Chairman was happy to provide resources to promote the REA but said it should be targeted on areas where analysis indicated the best result.

33. The Chairman said that this was the last meeting for Trevor Mitchley – East Anglia Gp. He said that although Trevor would be leaving the Management Committee he was not escaping; he would be moving over to Council as a Group Representative. The Chairman thanked him for his long and valued service and wished him well as a trustee. Trevor Mitchley thanked the Chairman for his kind words and told members that he had greatly enjoyed his time as a Group Representative and was proud to have contributed to the work of the Committee and the REA.

34. The Chairman said that the Honorary Treasurer of the REA, Col Roger Hunt, was stepping down at the next AGM and a replacement was being sought. The Chairman said that applicants should possess an understanding of accounts and financial terminology; it would be most useful if applicants were within reasonable reach of London and Chatham for ease of travel to committee meetings. Applicants also needed to be Full or Life Member of the REA. The Corps Colonel said it would be useful if a job description was produced that described the Honorary Treasurers responsibilities. The Chairman requested input from the D Con and Corps Treasurer in producing the job description. A 'vacancy' notice would be placed on the REA Facebook page and the REA and RE Institution websites once a job description had been produced.

Action: D Con, Corps Treasurer

ITEM 12. DATE OF NEXT MEETING

35. The next meeting will be held on 21st January 2015 at MOD Main Building. The exact location in Main Building will be notified at a later date.

8 August 2014

Deputy Controller

Minutes Approved

Date

Chairman

**Benevolence Report
to
121st Meeting of the
Management Committee 17 July 2014**

1. **Trends 2014.** At this 6 month point, the number of requests for assistance is almost identical to the same period in 2013. The number of cases submitted by SSAFA has increased by 5%, but the number submitted by TRBL has decreased by 5%. There is no discernible trend for the category of cases considered, they compare closely with the previous year's figures.

2. **Benevolence Cases Considered 2014 – 2010**

<u>Category</u>	<u>First 6 months 2014</u>	<u>2013</u>	<u>2012</u>	<u>2011</u>	<u>2010</u>
Disabled & Illness	101	185	192	329	404
Aged	32	52	118	84	73
Widows	43	110	138	132	138
Unemployed	83	152	210	144	122
Miscellaneous	86	187	285	268	206
Grants not made	35	51	23	12	10
Totals	345	737	966	969	953

3. **Cost of Benevolence 2014 Jan to Jun.** The net cost of REA benevolence for the first 6 months of 2014 made up of Grants, weekly allowances and grants to other charities was £167,824. This figure is 19% higher than the £140,553 paid in grants for the same period in 2013.

4. **REA Branch Observers.** Observers are always most welcome to visit REA Benevolence meetings in London to see how the Committee carries out the business of making financial grants on behalf of the Corps. The Chairman and Controller REA invite REA Branch observers to attend and participate, with the aim reporting back to their Branches on the breadth of cases that are considered and how we are able to help. We would hope that all REA Trustees would attend at least one meeting.

CORPS UPDATE JUN 14

8 ENGINEER BRIGADE

1. **Overview.** 8X has continued to support commitments at home and abroad; RE assets are integral to the drawdown of infrastructure and redeployment of Engr Log from Op HERRICK. In the UK, the Bde was heavily involved in Op PITCHPOLE – the military support to flood relief in the South of England. This support culminated with CO 66 Wks Gp commanding a bespoke team of 200 tri service personnel in the assessment of 150,000 Environment Agency (EA) flood defence assets in just under six weeks – a task that would usually have taken the EA 5 years to complete. A2020 continues apace with several Sqns re-subordinating, re-rolling or disbanding; the next big muscle move will be the formation of 25 Close Support Group on 01 August 14.

12 (FORCE SUPPORT) ENGINEER GROUP

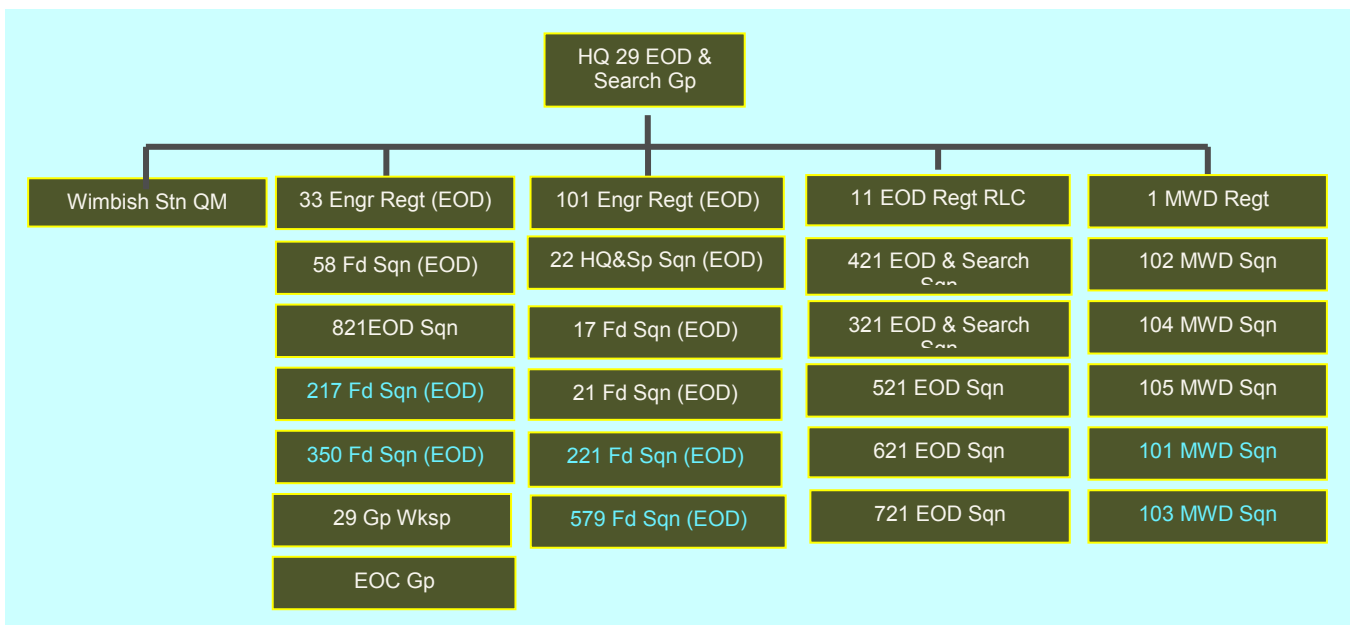
2. **A2020.** Re-subordination of 75 Engr Regt into the Group delayed from 01 Apr 14 until 01 Aug 14. 61 Fd Sp Sqn have re-subordinated to 36 Engr Regt. The RP&C role is to be undertaken by 20 Fd Sqn.

3. **Operations.** The operational focus for the Group has remained with the Broader Middle East (BME), providing contractual management for the implementation of new infra works to support Op MAINSTAY and Op HERRICK. As well as contractual infra development, the group has an enduring RE maintenance team in Minhad. Support to AIR continues; 529 STRE (Air Sp) are currently deployed to Lithuania to provide infra delivery in support of the provision of Typhoon to bolster Baltic Air Policing. Closer to home, the group provided recce support under Air Post Crash Management to the Joint Aircraft Recovery Team for the US Pave Hawk helicopter crash in Norfolk in January 14.

4. **Regular and Reserve Partnerships.** Op FORTIFY support continues with partnered units. 39 Engr Regt are partnering 71 Engr Regt and 36 Engr Regt are partnering 75 Engr Regt. Integration with regular and reserve exercises is gaining pace with reservists most recently deploying on Ex WARPAINT 14 with 36 Engr Regt. Regular personnel support to reservist exercises is planned for the 2014/15 training year.

29 EOD & SEARCH GROUP

5. **A2020.** Transformation continues to progress with combined EOD and Search Sqns established in both 33 Engr Regt (EOD) and 101 Engr Regt (EOD) as well as a second integrated Squadron in 11 EOD Regt. 350 Fd Sqn (EOD) is due to re-subordinate to 33 Engr Regt (EOD) on the 1 Jul 14. Whilst achievable, A2020 timelines will remain a significant challenge for the group to meet Initial Operating Capacity (IOC) by Apr 2015 with Full Operating Capacity (FOC) following in 2019.

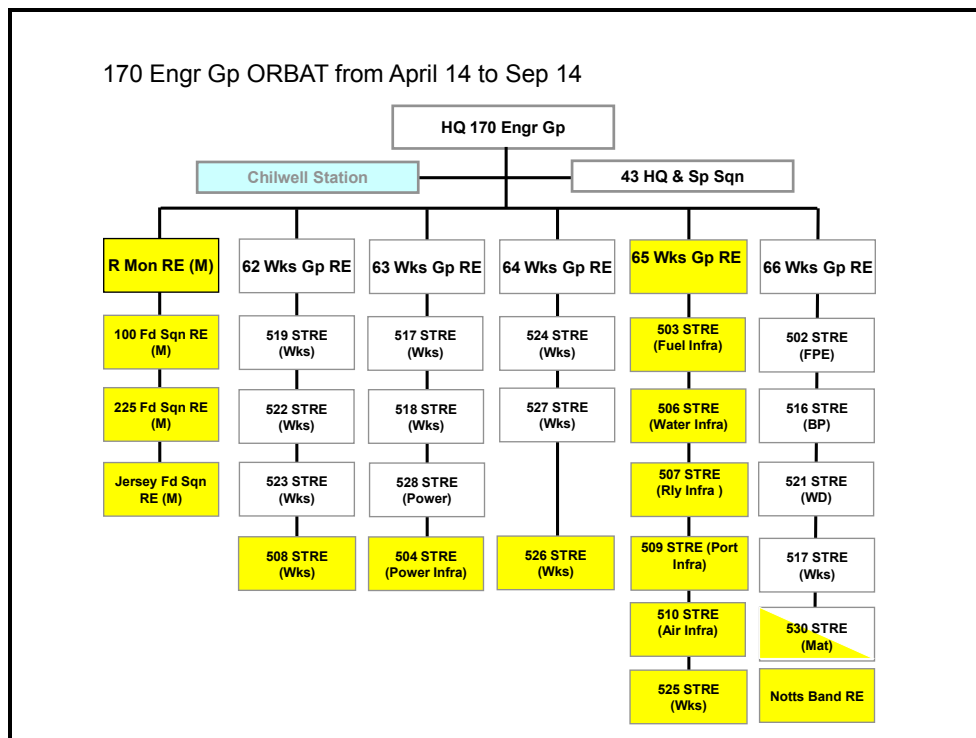


6. **UK Resilience.** The Group is heavily involved in planning of the security of high profile events such as the Commonwealth Games, the NATO conference and Party Political Conferences, as well as maintaining support under Op TAPESTRY. The responsibility for the provision of Search support to UK Military Aid to Civil Powers (MACP) has transferred to 11 EOD Regt RLC alongside the establishment of a total of 135 RE posts.

7. **Operations.** Op HERRICK EOD and Search FE have merged into the Engr Sqn. Upstream Capacity Building continues with deployments to PAKISTAN, LIBYA and COLOMBIA, whilst supporting a developing requirement in EGYPT.

170 (INFRA SUPPORT) ENGINEER GROUP

8. **A2020 STRUCTURE.** Under A2020, 170 (Infra Sp) Engr Gp will be an integrated Regular and Reserve organisation that consists of two Reserve units (R Mon RE (M) and 65 Wks Gp) and 4 hybrid units (62, 63, 64 and 66 Wks Gps). R Mon RE (M) and the Nottinghamshire Band of the Royal Engineers re-subordinated into the Group on 1 Apr 14. The diagram below shows the Group's ORBAT as at 1 Apr 14. The next series of internal moves are scheduled for completion by end Sep 14.



170 Engr Gp ORBAT as at 1 Apr 14 through to Sep 14

9. **Operations.** 64 Wks Gp will TOA from 63 Wks Gp on Op HERRICK in late June 14. This will be the last Works Group level deployment to Afghanistan as the commitment reduces to an Op TORAL footprint in 2015. From Apr 15, 170 Engr Gp will assume responsibility for infrastructure delivery in BME including Minhad, Al Udeid, Bahrain, Musanah, Seeb and Thumrait.

10. **UK Resilience.** 170 Engr Gp deployed 4 x technical recce teams (including a technical dive capability) on Op PITCHPOLE, providing Military Aid to the Civil Authorities (MACA) and identifying tasks for military personnel whilst CO 66 Wks Gp RE assumed command of the tri-service team tasked with the inspection of EA Flood Defence assets.

MILITARY STABILISATION SUPPORT GROUP (MSSG)

11. **A2020.** Ongoing work to co-locate MSSG, 15 Psychological Operations Group (15 POG), and the Media Operations Group Volunteers (MOG (V)) at Hermitage

12. **Operations.** Short Term Training Teams (STTTs) to Somalia, BATUK, Uganda and Sierra Leone.

G1 – PERSONNEL & ADMINISTRATION

13. **Army Redundancy Tranche 4 (T4).** The Notification of Selection for Tranche 4 of redundancy will take place on 12 Jun 14. The Corps will only take redundancies from the Queens Ghurkha Engineers (QGE) and then only a small amount of personnel.

14. **Deaths.** The Corps has sadly lost the following personnel since the last publication:

Afghanistan

5 Mar 14 Spr A Moralee 32 Engineer Regiment

Non Operational

10 Feb 14 Cpl T Stevenson 36 Engineer Regiment
 25 Feb 14 Spr D Gibson 26 Engineer Regiment
 27 Apr 14 Lt Col P Spilsbury DIO
 23 May 14 Lt Col AN Powell 62 Wks Gp RE

15. **Honours & Awards.** The following personnel were honoured in Armed Forces Operational Awards List Number 42:

Appointment to the Military Division of the Most Honourable Order of the Bath

As Commander (CB) Major General RJ SEMPLE (Late RE)

As Officers (OBE) Lieutenant Colonel SA Lawrence RE
 Lieutenant Colonel HTS Rickets RE
 Lieutenant Colonel MF Kingsford (Late RE)

As Members (MBE) Lieutenant Colonel AJ Christie RE
 Lieutenant Colonel IH Scrivens RE
 Major AS Green RE
 Major WS Turner RE
 Captain DP Henson RE

NATO MSM Major RP Castro RE
 Captain RCG Campbell RE

Corps Commendation Maj K Beddoe
 WO1 PJ Batley
 WO2 G O'Neill
 WO2 M Williams
 SSgt S Baleisolomone
 SSgt MHR Freeman
 SSgt JK McGowan

OFFICIAL

SSgt PE Shiel
SSgt D Welsh
SSgt PP Woolsey
Sgt S Gourlay
Sgt GD Stubbs
Cpl JD Brown
Cpl CRS Gallears
Cpl R Gosling
Cpl D Marsden
LCpl MAJ Dom
LCpl R Steyn
Spr L Harris
Mrs R Khan

This illustrates the volume of high quality personnel who serve in the Corps. Many congratulations to all those who received an award.

G3 OPERATIONAL ACTIVITY (ACROSS THE CORPS).

16. **OP HERRICK.** Afghanistan remains the Defence Main Effort. Both 35 Engineer Regt and 33 Engr Regt (EOD) are deploying assets on Op HERRICK 20 with 64 Wks Gp providing the UK Wks Gp (A). Base Remediation and Closure/Transition has in the main, been completed leaving the drawdown, deconstruction, decommission of infrastructure and services in Camp Bastian and the redeployment of Engr Log as the main tasks. It is highly likely that specialist Engineer surge will be required as the pace of drawdown increases.

17. **UK Resilience**

- a. **Op PITCHPOLE.** Approx 200 RE personnel were mobilised to conduct flood relief across the South of England. As well as specialist support engineer support including the use of RE boats, technical infrastructure recce and plant, the Brigade HQ lead with the assessment of 150,000 Environment Agency flood defence assets after an urgent request by the government and SJC.
- b. **Op ESCALIN.** 36 Engr Regt is the lead unit for trained fuel hauliers within the Bde in response to Industrial Action to fuel strikes.

OTHER COMMITMENTS

18. **Support to Baltic Air Policing.** 529 STRE (Air Sp) have a small air support team currently deployed to Lithuania to assist with the siting of aircraft in support of Baltic Air Policing.

19. **Libya.** No change. The UK remains committed to the development of the Libyan armed forces.

20. **Pakistan.** No change. 8X continue to support the delivery of CIED capability development in Pakistan through 1* engagement.

21. **Cyprus.** 28 Engr Regt completed their deployment on Op TOSCA in Apr 14.

22. **Falkland Islands.** The Corps is currently investigating with DIO a proposal to conduct three Joint Force Enabling Exercises (JFEES) to upgrade Remote Radar Head accommodation starting summer 2015. The project will be remote, austere and involve extended logistic lines. It will also facilitate fantastic technical design, artisan construction and engineer logistics training for the Corps - exactly the type of construction training for

OFFICIAL

OFFICIAL

contingency operations. Although still formally in the negotiating and planning stage things are looking positive.

23. **Kenya.** No change. The Infrastructure Development Plan (IDP) in Kenya continues to be the focus for the Joint Force Enabling exercises (JFEs).

24. **Defence Engagement (DE) and Upstream Capacity Building (UCB).** The Corps continues to lean into UCB utilising the experiences of MSSG and STTTs which are a common occurrence across all groups. Whilst the Brigade retains regional responsibility for the Far East under the Army's Defence Engagement Strategy, there have been a number of examples of specialist engineer involvement within other regions.

a. 33 Engr Regt has integrated with 4X and will be hosting an Egyptian delegation in May.

b. 39 Engr Regt has deployed personnel to advise Kosovan Engineers in the construction of a range and assault course. To further the relations, Kosovan Engineers were hosted in the UK to display how a UK Engr Regt worked within barracks and on exercise.

G7 TRAINING ACTIVITY

25. **Reserves.** Op FORTIFY continues to support Reserve recruiting with partnerships between Regular and Reserve units. The second phase of personnel for Recruiting Support Teams (RSTs) are assuming post now maintaining and developing the work started within the first six months of the task.

Regular Unit	Reserve Unit
36 Engr Regt	75 Engr Regt
39 Engr Regt	71 Engr Regt
66 Wks Gp	65 Wks Gp
Composite RST	R Mon RE (M)

26. **Reservist integration.**

a. **Op PITCHPOLE.** Although no Reserve Engr units were required as formed units, individuals were utilised to good effect. Upon request for geological support by Network Rail a capability gap was identified. Fortunately this was resolved through a Reservist Geologist who was dispatched to advise with cliff stability for the repair of the Dawlish Railway. Additionally several Reservists were mobilised as Flood Defence Inspectors.

b. **Ex GRIFFIN HERALD.** Reservist capabilities from across the Corps were displayed as part of the launch of Force Troops Command on Ex GRIFFIN HERALD. This was an excellent opportunity to show Reservist and Regular integration and how specialist reservist knowledge can enhance their regular counterparts.

27. **BATUK Infrastructure Development Plan (BIDP) JFEs.** 8X continue to deliver 4 JFEs in Kenya as part of the BIDP. The work that the MCFs have and will be engaged in is shown below:

Serial (a)	Ex Name (b)	Unit (c)	Remarks (d)
1	SAILFISH May – Jul 14	39 Engr Regt 48 Fd Sqn	<ul style="list-style-type: none"> Complete stage 2 of RMP buildings, to include first fittings (superstructure) Complete phase 1 of the Finance

OFFICIAL

Serial (a)	Ex Name (b)	Unit (c)	Remarks (d)
			building (ground works) <ul style="list-style-type: none"> • CE projects, identified by HQ BATUK to include Aberdare bridge and Aberdare fall tasks • Completion of Kamala Airstrip
2	NORTHERN QUEST Jul – Sep 14	22 Engr Regt 5 AES	<ul style="list-style-type: none"> • RMP Building fit out • Finance Building Superstructure • Nanyuki Stadium Phase 1 or Sirimon Bridge (CE tasks) • Aberdare Bridge & viewing platforms? (if funded).
3	CRAB APPLE Sep – Nov 14	22 Engr Regt 52 AES	<ul style="list-style-type: none"> • Close down resources yard and tented camp. • RMP Building snagging/Testing & Commissioning • Finance Building fit out • Nanyuki Stadium Phase 1 or Sirimon Bridge (CE tasks)
4	OAK APPLE Feb – May 15	26 Engr Regt TBC	<ul style="list-style-type: none"> • Set up of resources yard and tented camp. • Finance Building snagging/Testing & Commissioning • Armoury ground works • Nanyuki Stadium Phase 2 or Archers Post Sanitation Block (CE Tasks)

CORPS SPORTS

28. **Events, Achievements & Fixtures.** The following is a list of the sporting events and subsequent achievements to date this year.

a. 71 Engineer Regiment's football team won the Army Reserve Football Association Challenge Cup (Formerly the TA Army Football Association Challenge Cup) on 26 Apr 14. They are the first Engineer Regiment to lift the trophy.

b. Royal Engineers Rugby League (RERL) began the season with a Pre-Season Training Camp and had the following results:

RERL 28 v Scarborough Pirates 10
RERL 34 v Jarrow Vikings 10

The team also played the opening game of the season against the RLC in the Lawson Cup and ran out convincing winners 18-16. The next game is RE v RA on Wed 14 May 14, Chatham, KO 1400hrs

b. RE Cricket Team will take part in the Inter Corps T20 Cricket Competition on 13-15 May 14 at the Army Cricket Ground in Aldershot.

The RE v RA Cricket fixture for 2014 will take place at the Garrison Cricket Ground, Chatham during the period 17-19 July 14.

d. 22 Engineer Regiment won the RE Games ahead of 1 RSME Regiment who were runners up.

29. **Corps Through Life Concept and the REA.** The Chief Royal Engineer's intent discusses the 'Through Life Concept' of the Royal Engineer¹. The REA plays a significant part in the transition and veteran aspect of that intent. The REA has positioned itself to be an integral part of the soldier's and officer's transition from military to civilian life, in as much as it encourages service leavers to join their local branch and develop into active members; the REA partnership with Regimental Careers and Manning Officers (RCMO) is key to this activity. This will ensure a diverse demographic of members is maintained. Becoming part of that veteran community, maintaining contact with the wider family of the Corps and taking part in all the wide ranging activities conducted by the REA preserves that link between the serving and retired members of the Corps. The three veteran's weekends at Chilwell, Minley and Chatham contribute greatly to this and the use of social networks such as the REA Facebook page is instrumental in bringing together this community.

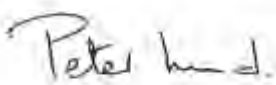
SUMMARY

30. The Corps remains as busy as ever across the globe with an enduring demand for Sappers as Professional Engineers, Combat Engineers, Artisans or Sporting Gladiators, at home or on operations. The future has more change for the good and must be embraced positively by all those associated

¹ *Youth - Recruit - Serve - Transition - Veteran.*

RECRUITING COMMITTEE REPORT
FOR THE MEETING OF
THE ROYAL ENGINEERS ASSOCIATION MANAGEMENT COMMITTEE
JULY 2014

1. Recruiting of new members for the REA over the last 5 years has gone from a peak of over 500 per calendar year to levelling out to about 450 over the last four years.
2. Since the last report in June 2013, all Phase 2 recruits have continued to receive REA Awareness Training and been given the 'Welcome Pack'.
3. Awareness presentations have continued to be given to all 1 RSME Command Courses. This is normally given by the Corps Colonel as part of his wider brief to the course.
4. National Branches are being encouraged to submit articles for the Sapper Magazine explaining their membership criteria in order to reach out for eligible members not serving in eligible units who may not be aware there is a National Branch for their particular field.
5. The Welcome Packs continue to be sent to RCMOs, including the recently installed RCMOs in RE Reserve Regts, to be passed on to those leaving the Corps. The initiative has not produced the high volume of membership applications expected but the initiative can only ever be as good as the RCMO's passing on the information and the recipients taking the required action.
6. A full page advert was placed in the "Soldier" magazine although there is no way of knowing the effectiveness of the advert but it was felt it was the right media in which to advertise the REA and membership.
7. The Trifold leaflet will be updated and used as an insert poster in the Sapper magazine. The production of the REA Handbook is still on going and taking longer than expected. It is still work in progress.
8. During the period of this report the number of new Life Members recruited throughout all the REA Groups was 456.



Peter Lund
Chairman
Recruiting Committee

07 July 2014